



KHC & KHCE SERIES

Electric & Manuel Hose Reel

order@kozmaksan.com.tr
www.kozmaksan.net



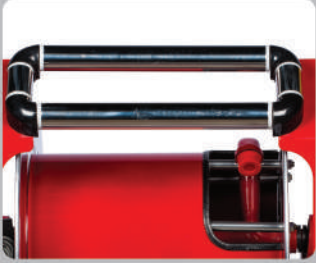
1" Water Outlet



Reel Stabilising and Braking System



Multi Installation Feature of Electric Motor



Hose Chase According to Reel's Position (up)



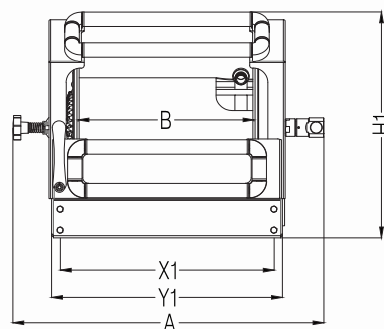
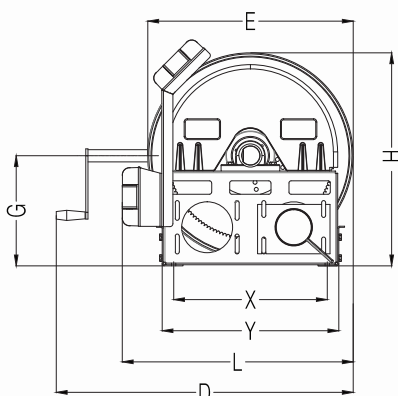
Manuel Handle Set



KHC & KHCE SERIES

Manuel Hose Reel

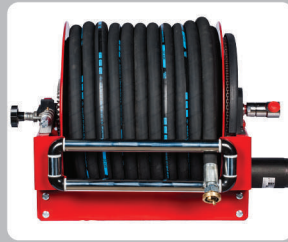
Technicality



| MODEL | KHC 40 | KHC 60 | KHC 80 |
|-------|--------|--------|--------|
| A | 753 | 863 | 963 |
| B | 400 | 490 | 590 |
| D | 825 | 825 | 825 |
| E | 570 | 570 | 570 |
| F | - | - | - |
| G | 306 | 306 | 306 |
| H | 591 | 591 | 591 |
| H1 | 627 | 627 | 627 |
| L | 641 | 641 | 641 |
| Y | 490 | 490 | 490 |
| Y1 | 545 | 655 | 755 |
| X | 426 | 426 | 426 |
| X1 | 330 | 440 | 540 |



Water Inlet Bearing with
1" Crom Marble Bedding



1" Fire Hose – 80 Bar
Operation Pressure



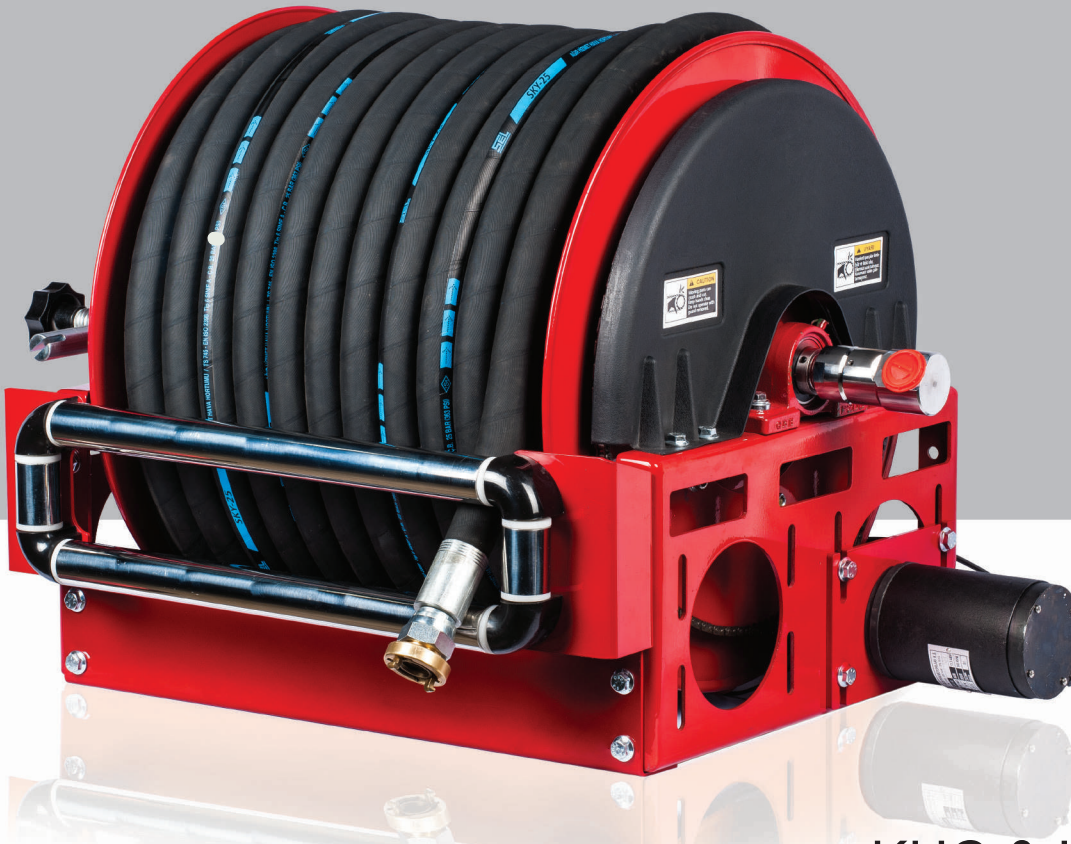
Chain Wheel Protection



Hose Chase According to
Reel's Position (down)



24V/12V DC Electric Motor



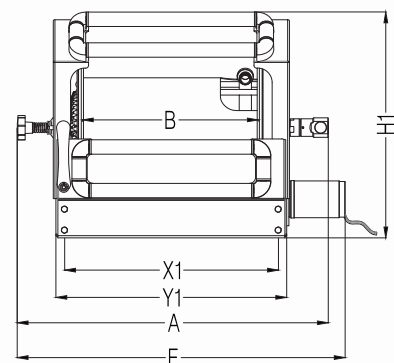
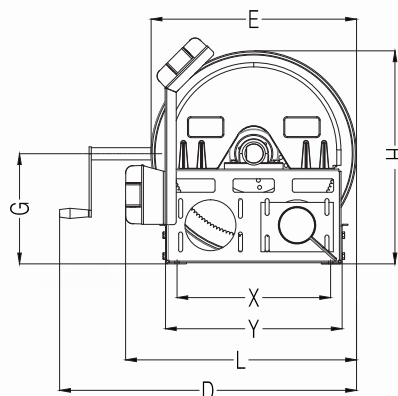
Compatible Flawless
Trunk Design

KHC & KHCE SERIES

Electric Operated
Hose Reel

Technicality

| MODEL | KHCE 40 | KHCE 60 | KHCE 80 |
|-------|---------|---------|---------|
| A | 753 | 863 | 963 |
| B | 400 | 490 | 590 |
| D | 825 | 825 | 825 |
| E | 570 | 570 | 570 |
| F | 800 | 908 | 1008 |
| G | 306 | 306 | 306 |
| H | 591 | 591 | 591 |
| H1 | 627 | 627 | 627 |
| L | 641 | 641 | 641 |
| Y | 490 | 490 | 490 |
| Y1 | 545 | 655 | 755 |
| X | 426 | 426 | 426 |
| X1 | 330 | 440 | 540 |





Works Perfectly...

